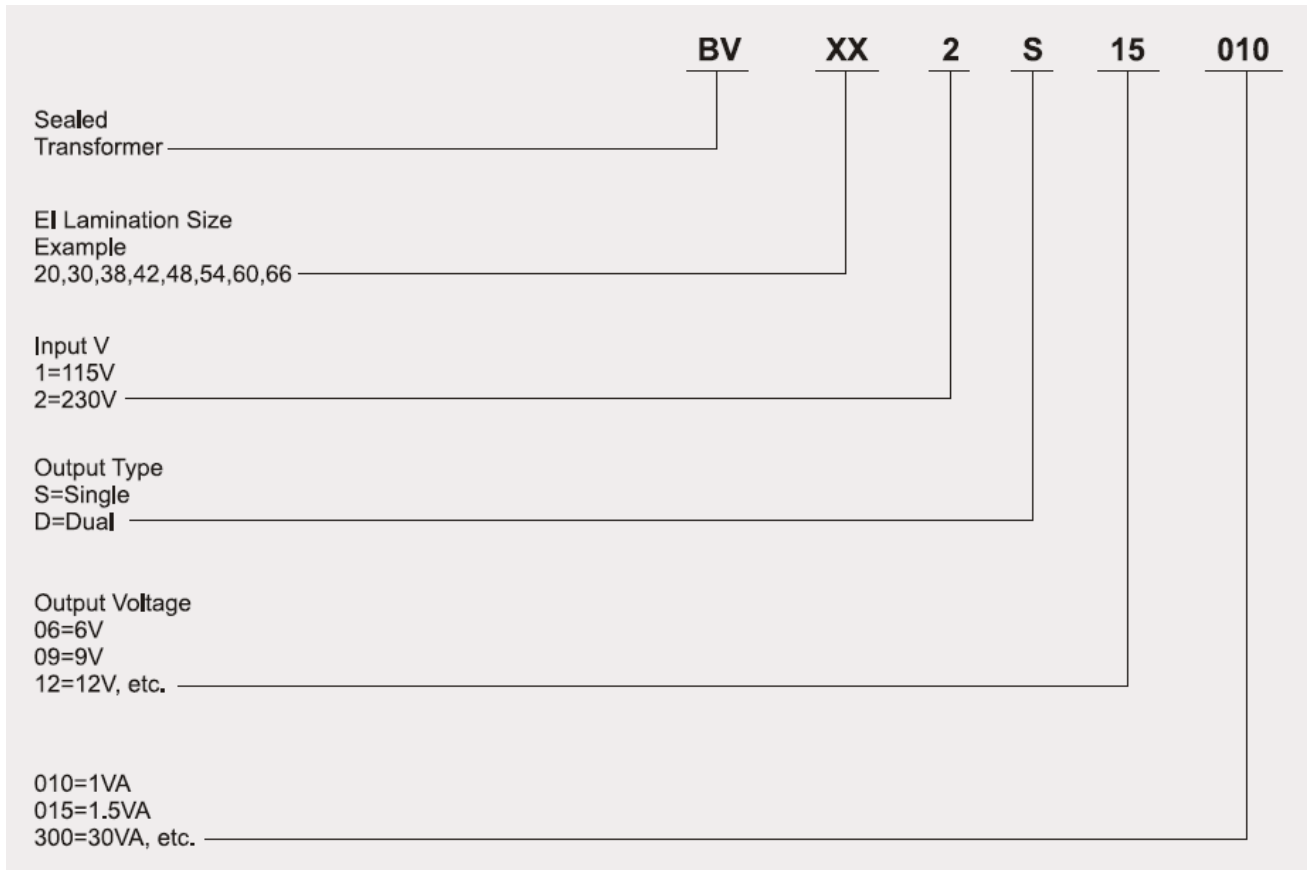


3.0VA SEALED TRANSFORMER EI30X23 SERIES



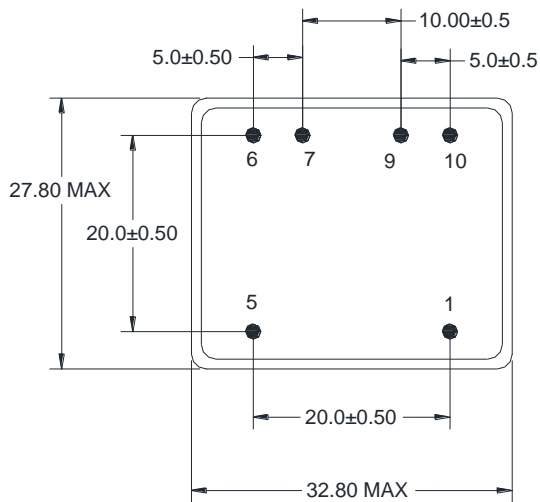
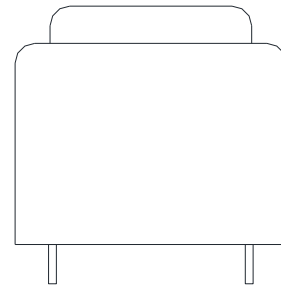
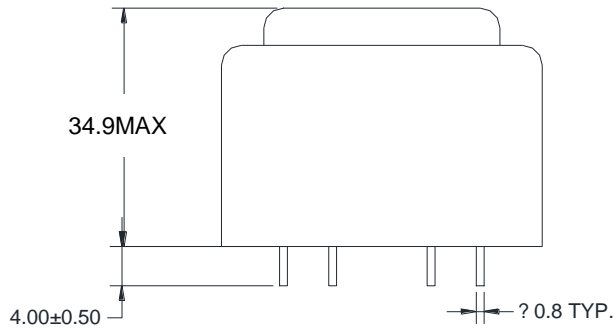
ORDERING CODE



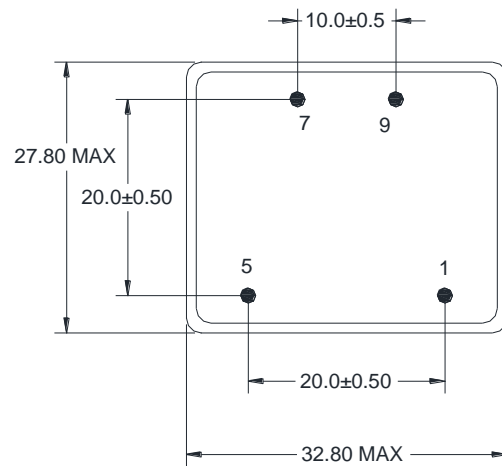
FEATURES

- CQC Approved:
CQC file No.: 1001054660
- Vacuum Filling
- Split Bobbin Design
- Self-Extinguishing Plastics UL94V-0
- Dielectric Strength 4200Vrms
- Inherently Energy Limited
- Resin Class B IEC 85
(20,000 h Testing to IEC 216)
- Conforms to EN 61558 and UL5085
- 100% Production Tested

OUTLINE DIMENSIONS

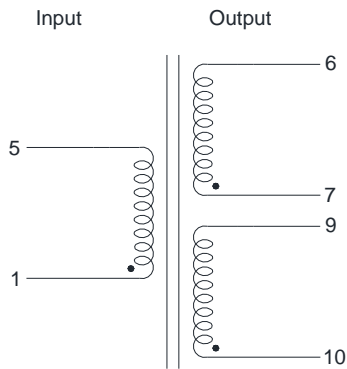


Dual outputs

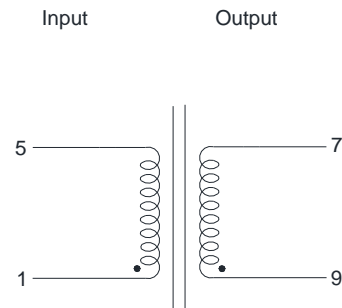


Single output

SCHEMATIC DIAGRAM:



Dual outputs



Single output

ELECTRONIC SPECIFICATIONS

Order Number	Input Voltage	SEC.Voltage (Vac)	Rated Power (VA)	No-load Voltage (V)	Ambient TEMP. (°C)	Weight (g)	Certificate
							CQC
BV301S06030	115V 50/60Hz	6	3.0	10.5 Max	T 40 B	120	
BV301S09030	115V 50/60Hz	9	3.0	15.9 Max	T 40 B	120	
BV301S10030	115V 50/60Hz	10	3.0	17.0 Max	T 40 B	120	
BV301S12030	115V 50/60Hz	12	3.0	21.4 Max	T 40 B	120	
BV301S15030	115V 50/60Hz	15	3.0	26.1 Max	T 40 B	120	
BV301S18030	115V 50/60Hz	18	3.0	30.5 Max	T 40 B	120	
BV301S24030	115V 50/60Hz	24	3.0	41.8 Max	T 40 B	120	
BV301D06030	115V 50/60Hz	2x6	3.0	2x10.5Max	T 40 B	120	
BV301D09030	115V 50/60Hz	2x9	3.0	2x15.9 Max	T 40 B	120	
BV301D10030	115V 50/60Hz	2X10	3.0	2x17.0 Max	T 40 B	120	
BV301D12030	115V 50/60Hz	2x12	3.0	2x21.4 Max	T 40 B	120	
BV301D15030	115V 50/60Hz	2x15	3.0	2x26.1 Max	T 40 B	120	
BV301D18030	115V 50/60Hz	2x18	3.0	2x30.5 Max	T 40 B	120	
BV301D24030	115V 50/60Hz	2x24	3.0	2x41.8Max	T 40 B	120	
BV302S06030	230V 50/60Hz	6	3.0	10.5 Max	T 40 B	120	●
BV302S09030	230V 50/60Hz	9	3.0	15.9 Max	T 40 B	120	●
BV302S10030	230V 50/60Hz	10	3.0	17.0 Max	T 40 B	120	●
BV302S12030	230V 50/60Hz	12	3.0	21.4 Max	T 40 B	120	●
BV302S15030	230V 50/60Hz	15	3.0	26.1 Max	T 40 B	120	●
BV302S18030	230V 50/60Hz	18	3.0	30.5 Max	T 40 B	120	●
BV302S24030	230V 50/60Hz	24	3.0	41.8 Max	T 40 B	120	●
BV302D06030	230V 50/60Hz	2x6	3.0	2x10.5Max	T 40 B	120	●
BV302D09030	230V 50/60Hz	2x9	3.0	2x15.9 Max	T 40 B	120	●
BV302D10030	230V 50/60Hz	2X10	3.0	2x17.0 Max	T 40 B	120	●
BV302D12030	230V 50/60Hz	2x12	3.0	2x21.4 Max	T 40 B	120	●
BV302D15030	230V 50/60Hz	2x15	3.0	2x26.1 Max	T 40 B	120	●
BV302D18030	230V 50/60Hz	2x18	3.0	2x30.5 Max	T 40 B	120	
BV302D24030	230V 50/60Hz	2x24	3.0	2x41.8Max	T 40 B	120	