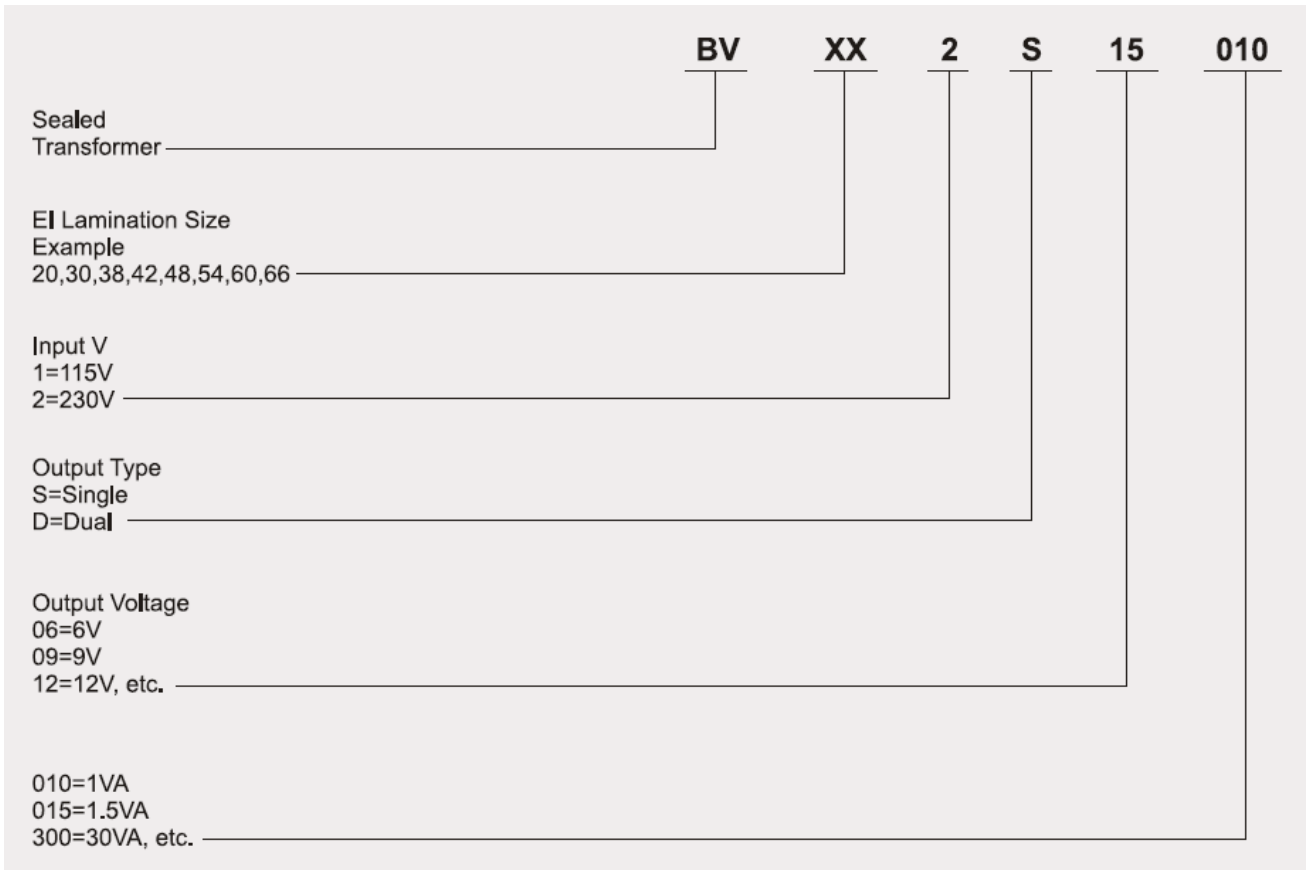


1.2VA SEALED TRANSFORMER EI30 SERIES



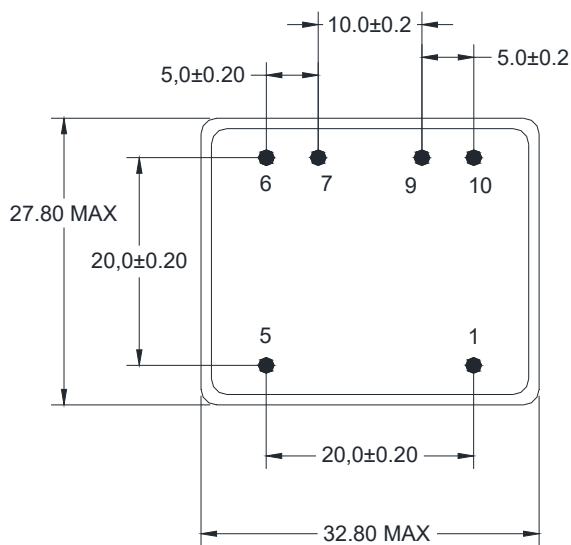
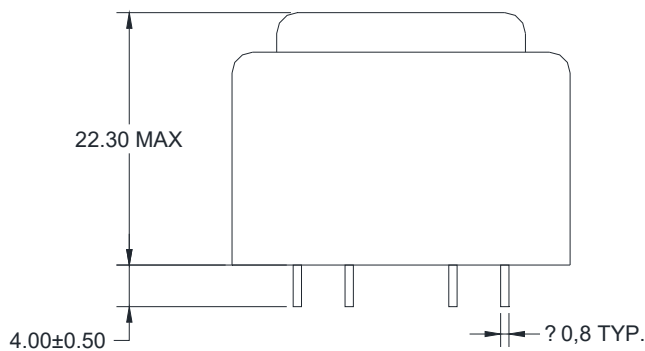
ORDERING CODE



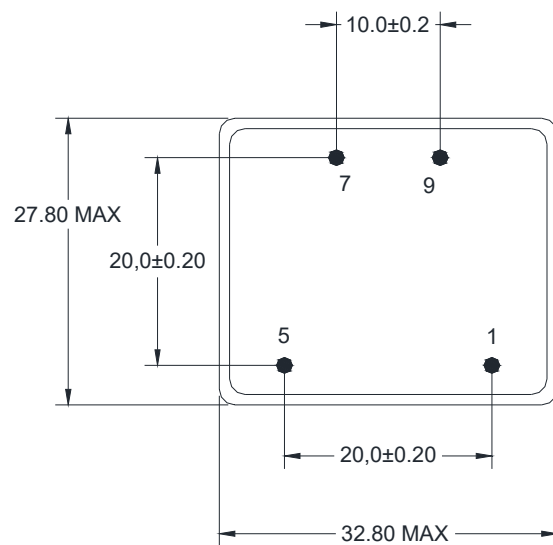
FEATURES

- ,UL5085-1,-2 CQC Approved:
UL file No.E177998
VDE file No.: 40022230
CQC file No.: CQC09001230821
- Vacuum Filling
- Split Bobbin Design
- Self-Extinguishing Plastics UL94V-0
- Dielectric Strength 2800Vrms
- Inherently Energy Limited
- Resin Class B IEC 85
(20,000 h Testing to IEC 216)
- Conforms to EN 61558 and EN 60950
- 100% Production Tested

OUTLINE DIMENSIONS

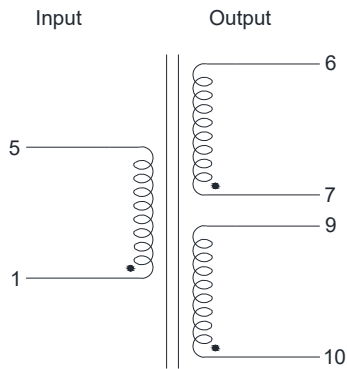


Dual outputs

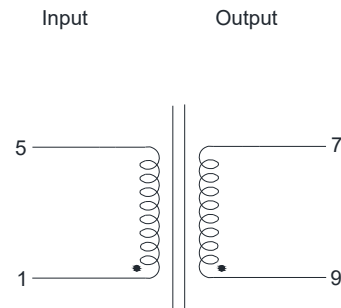


Single output

SCHEMATIC DIAGRAM:



Dual outputs



Single output

ELECTRONIC SPECIFICATIONS

Order Number	Input Voltage	SEC.Voltage (V)	Rated Power (VA)	No-load Voltage (V)	Ambient TEMP. (°C)	Weight (g)	Certificate			
							VDE	UL	CQC	CE
BV301S06012	115V 50/60Hz	6	1.2	8.6 Max	T 70 B(VDE) T 40 B(UL)	70	●	★		
BV301S09012	115V 50/60Hz	9	1.2	12.9 Max	T 70 B(VDE) T 40 B(UL)	70	●	★		
BV301S10012	115V 50/60Hz	10	1.2	13.5 Max	T 70 B(VDE) T 40 B(UL)	70	●	★		
BV301S12012	115V 50/60Hz	12	1.2	17.2 Max	T 70 B(VDE) T 40 B(UL)	70	●	★		
BV301S15012	115V 50/60Hz	15	1.2	21.6 Max	T 70 B(VDE) T 40 B(UL)	70	●	★		
BV301S18012	115V 50/60Hz	18	1.2	25.9 Max	T 70 B(VDE) T 40 B(UL)	70	●	★		
BV301S24012	115V 50/60Hz	24	1.2	37.9 Max	T 70 B(VDE) T 40 B(UL)	70	●	★		
BV301D06012	115V 50/60Hz	2×6	1.2	2x8.6 Max	T 70 B(VDE) T 40 B(UL)	70	●	★		
BV301D09012	115V 50/60Hz	2×9	1.2	2x12.9 Max	T 70 B(VDE) T 40 B(UL)	70	●	★		
BV301D10012	115V 50/60Hz	2X10	1.2	2x13.5 Max	T 70 B(VDE) T 40 B(UL)	70	●	★		
BV301D12012	115V 50/60Hz	2×12	1.2	2x17.2 Max	T 70 B(VDE) T 40 B(UL)	70	●	★		
BV301D15012	115V 50/60Hz	2×15	1.2	2x21.6 Max	T 70 B(VDE) T 40 B(UL)	70	●	▲		
BV301D18012	115V 50/60Hz	2×18	1.2	2x25.9 Max	T 70 B(VDE) T 40 B(UL)	70		▲		
BV301D24012	115V 50/60Hz	2×24	1.2	2x37.9 Max	T 70 B(VDE) T 40 B(UL)	70		▲	●	

BV302S06012	230V 50/60Hz	6	1.2	8.6 Max	T 70 B(VDE) T 40 B(UL)	70	●	★	●	
BV302S09012	230V 50/60Hz	9	1.2	12.9 Max	T 70 B(VDE) T 40 B(UL)	70	●	★	●	
BV302S10012	230V 50/60Hz	10	1.2	13.5 Max	T 70 B(VDE) T 40 B(UL)	70	●	★	●	
BV302S12012	230V 50/60Hz	12	1.2	17.2 Max	T 70 B(VDE) T 40 B(UL)	70	●	★	●	
BV302S15012	230V 50/60Hz	15	1.2	21.6 Max	T 70 B(VDE) T 40 B(UL)	70	●	★	●	
BV302S18012	230V 50/60Hz	18	1.2	25.9 Max	T 70 B(VDE) T 40 B(UL)	70	●	★	●	
BV302S24012	230V 50/60Hz	24	1.2	37.9 Max	T 70 B(VDE) T 40 B(UL)	70	●	★	●	
BV302D06012	230V 50/60Hz	2×6	1.2	2x8.6 Max	T 70 B(VDE) T 40 B(UL)	70	●	★	●	
BV302D09012	230V 50/60Hz	2×9	1.2	2x12.9 Max	T 70 B(VDE) T 40 B(UL)	70	●	★	●	
BV302D10012	230V 50/60Hz	2X10	1.2	2x13.5 Max	T 70 B(VDE) T 40 B(UL)	70	●	★	●	
BV302D12012	230V 50/60Hz	2×12	1.2	2x17.2 Max	T 70 B(VDE) T 40 B(UL)	70	●	★	●	
BV302D15012	230V 50/60Hz	2×15	1.2	2x21.6 Max	T 70 B(VDE) T 40 B(UL)	70	●	▲		
BV302D18012	230V 50/60Hz	2×18	1.2	2x25.9 Max	T 70 B(VDE) T 40 B(UL)	70		▲		
BV302D24012	230V 50/60Hz	2×24	1.2	2x37.9 Max	T 70 B(VDE) T 40 B(UL)	70		▲		