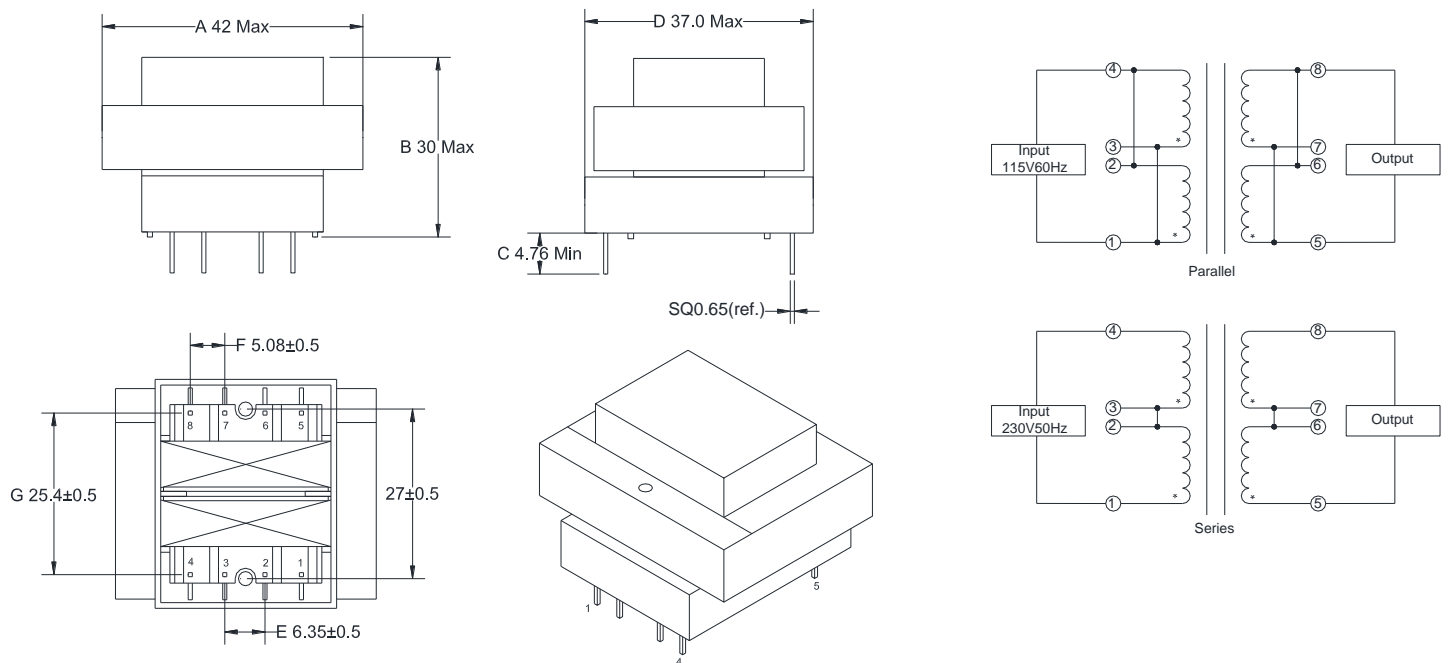


EI41-2.5VA TRANSFORMER AHI025XX SERIES

FEATURES,

- Conform to IEC EN61558-1 Safety Standards
- UL 5085 Approved Class 2&3: UL File No.E214561 (for 2.5VA and 10VA only)
- Dielectric Strength 4200Vrms
- Optional 115/230V input at 50/60Hz
- Material Meet UL 94V-O Flammability Requirement
- Splited Bobbin Wall Slots Eliminates, all Wire Crossovers
- 3 Standard Sizes for a Variety of Power Application

OUTLINE DIMENSIONS



ELECTRONIC SPECIFICATIONS

Part NO	Input Voltage (Vac)	Series		Parallel		Rated Power (VA)	Certificate	
		Voltage (Vac)	Current (mA)	Voltage (Vac)	Current (mA)		UL	CE
AHI02510	115V/230V	10	250	5	500	2.5VA	•	
AHI02512	115V/230V	12.6	200	6.3	400	2.5VA	•	
AHI02516	115V/230V	16	150	8	300	2.5VA	•	
AHI02520	115V/230V	20	120	10	240	2.5VA	•	
AHI02524	115V/230V	24	100	12	200	2.5VA	•	
AHI02528	115V/230V	28	90	14	180	2.5VA	•	
AHI02536	115V/230V	36	70	18	140	2.5VA	•	