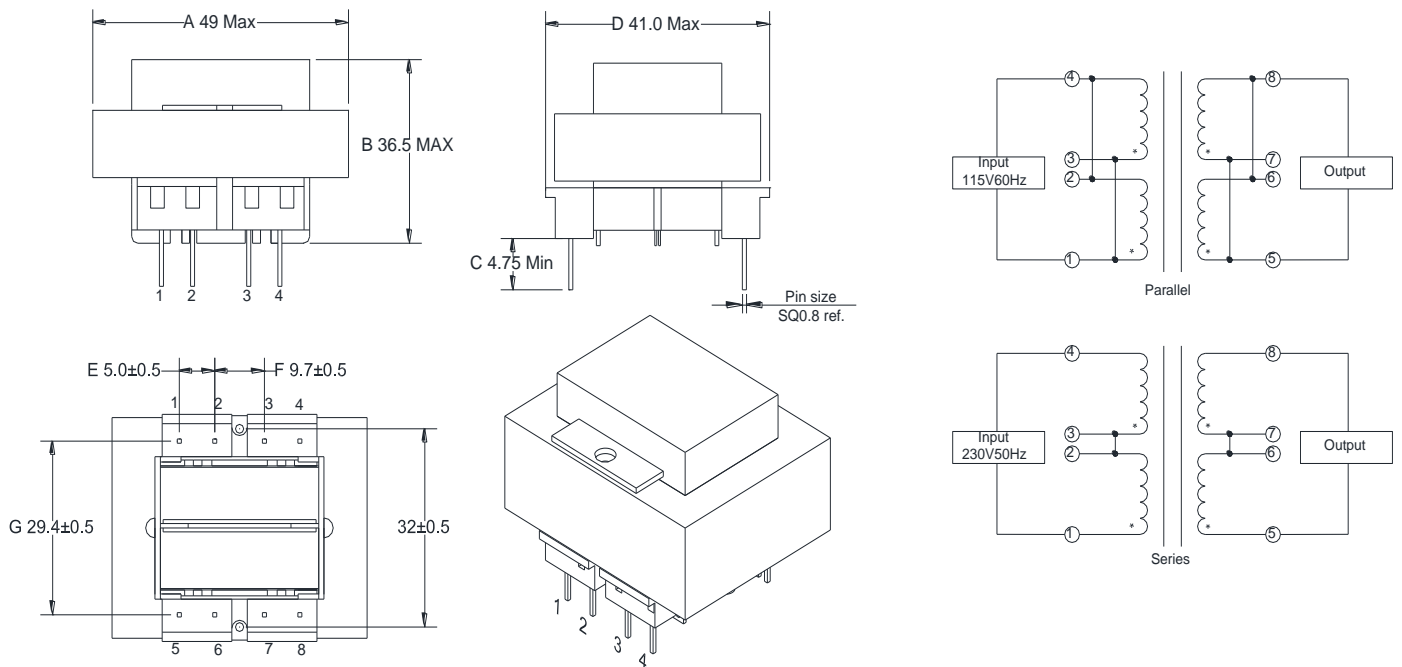


## EI48-10VA TRANSFORMER AHI010XX SERIES

### FEATURES,

- Conform to IEC EN61558-1 Safety Standards
- UL 5085 Approved Class 2&3: UL File No.E214561 (for 2.5VA and 10VA only)
- Dielectric Strength 4200Vrms
- Optional 115V/230V input at 50/60Hz
- Material Meet UL 94V-O Flammability Requirement
- Splited Bobbin Wall Slots Eliminates, all Wire Crossovers
- 3 Standard Sizes for a Variety of Power Application

### OUTLINE DIMENSIONS



### ELECTRONIC SPECIFICATIONS

Part NO	Input Voltage (Vac)	Series		Parallel		Rated Power (VA)	Certificate	
		Voltage (Vac)	Current (mA)	Voltage (Vac)	Current (mA)		UL	CE
AHI01010	115V/230V	10	1000	5	2000	10VA	●	
AHI01012	115V/230V	12.6	800	6.3	1600	10VA	●	
AHI01016	115V/230V	16	600	8	1200	10VA	●	
AHI01020	115V/230V	20	500	10	1000	10VA	●	
AHI01024	115V/230V	24	420	12	840	10VA	●	
AHI01028	115V/230V	28	360	14	720	10VA	●	
AHI01036	115V/230V	36	280	18	560	10VA	●	