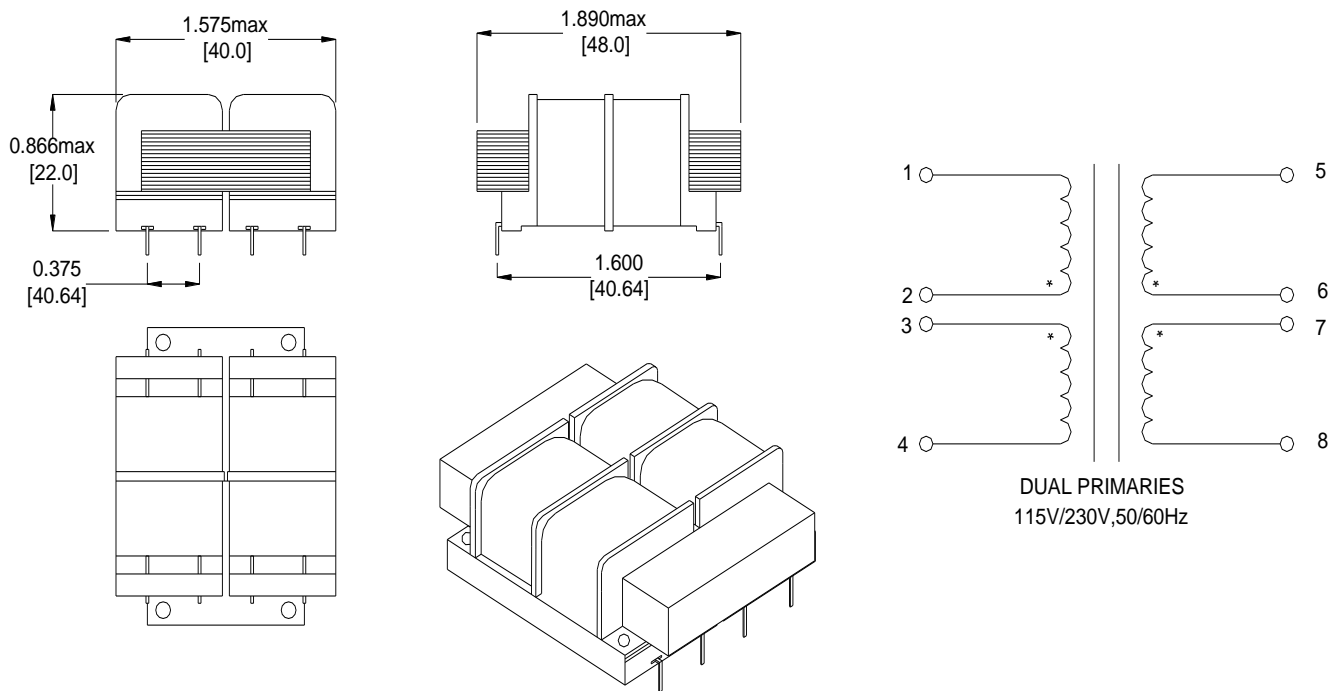


6.0VA UI28 TRANSFORMER AHF06 SERIES

FEATURES,

- UL 5085-1,-3 Approved:UL File No.E177998
- Dielectric Strength 2500Vrms
- Dual 115V/230V Primaries
- Dual Secondaries
- Class B Insulation System
- 3 Standard Sizes for a Variety of Power Application

OUTLINE DIMENSIONS



ELECTRONIC SPECIFICATIONS

Part NO	Input Voltage (V)	Series		Parallel		Rated Power (VA)	Certificate	
		Voltage (Vac)	Current (mA)	Voltage (Vac)	Current (mA)		UL	CE
AHF06010	115V/230V	10	600	5	1200	6VA	•	
AHF06012	115V/230V	12.6	450	6.3	900	6VA	•	
AHF06016	115V/230V	16	350	8	700	6VA	•	
AHF06020	115V/230V	20	300	10	600	6VA	•	
AHF06024	115V/230V	24	250	12	500	6VA	•	
AHF06030	115V/230V	30	200	15	400	6VA	•	
AHF06034	115V/230V	34	170	17	340	6VA	•	
AHF06040	115V/230V	40	150	20	300	6VA	•	
AHF06056	115V/230V	56	100	28	200	6VA	•	
AHF06088	115V/230V	88	65	44	130	6VA	•	
AHF06120	115V/230V	120	50	60	100	6VA	•	
AHF06230	115V/230V	230	25	115	50	6VA	•	