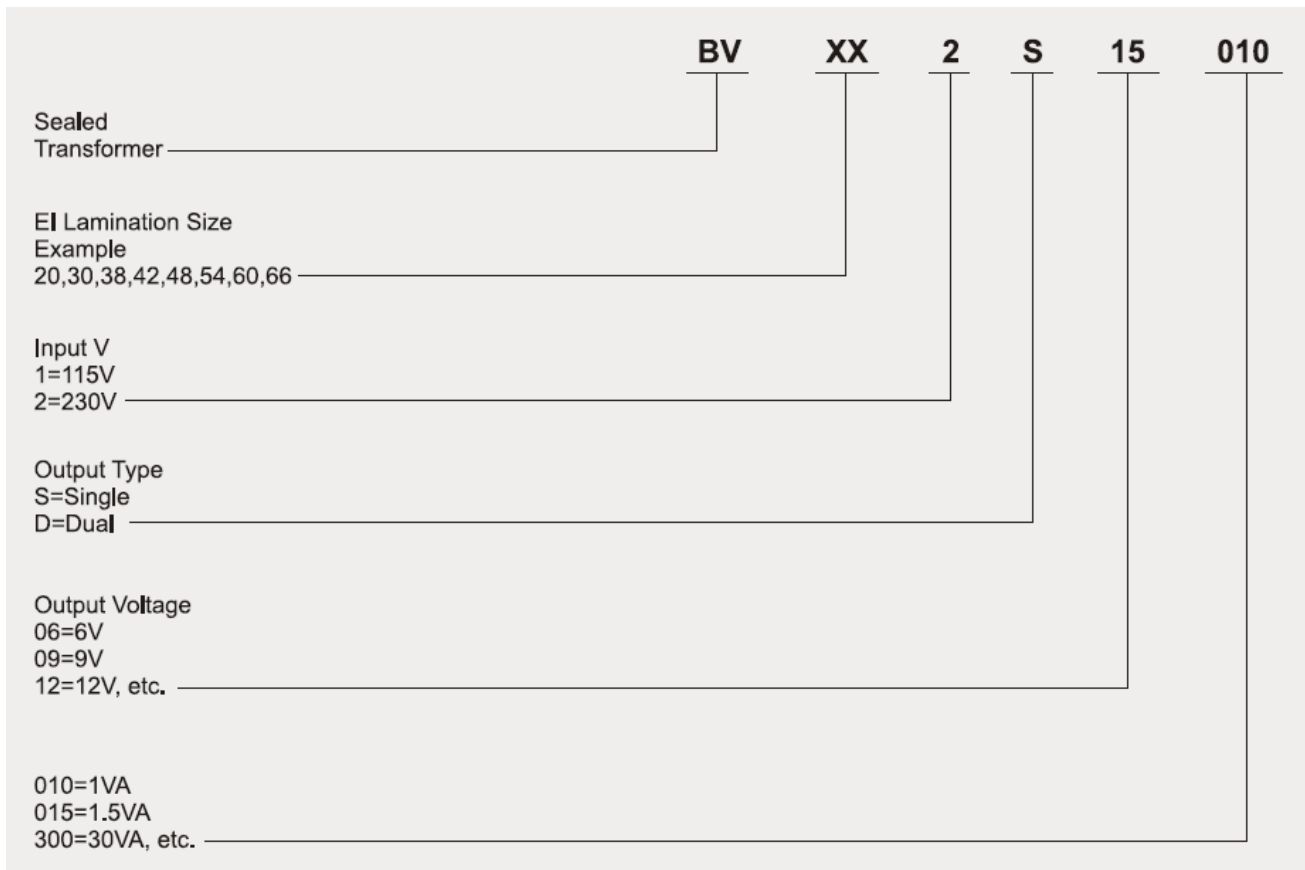


1.8VA SEALED TRANSFORMER EI30X12.5 SERIES



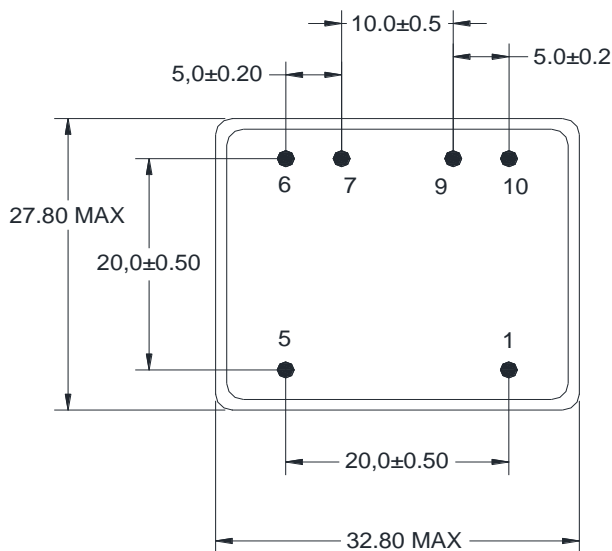
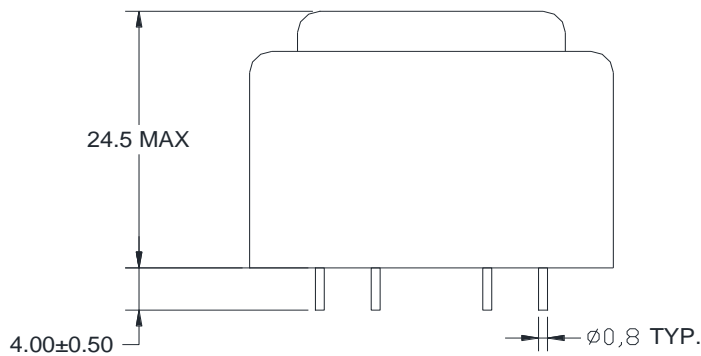
ORDERING CODE



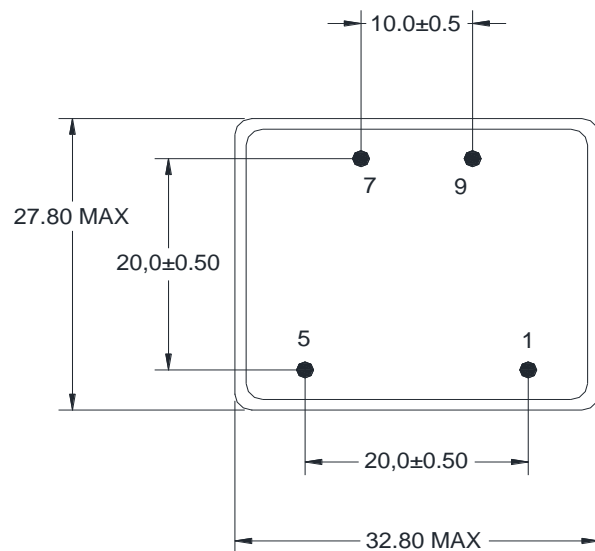
FEATURES

- VDE,UL5085-1,-2,-3,CE Approved:
UL file No. E177998
VDE file No.: 40022230
CQC file No.: CQC09001030821
- Vacuum Filling
- Split Bobbin Design
- Self-Extinguishing Plastics UL94V-0
- Dielectric Strength 4200Vrms
- Inherently Energy Limited
- Resin Class B IEC 85
(20,000 h Testing to IEC 216)
- Conforms to EN 61558 and EN 60950
- 100% Production Tested

OUTLINE DIMENSIONS

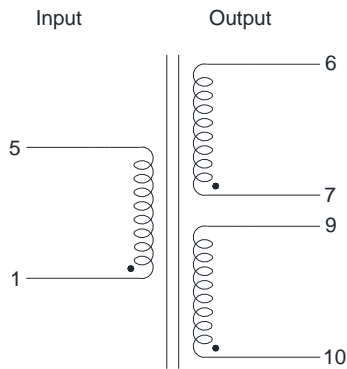


Dual outputs

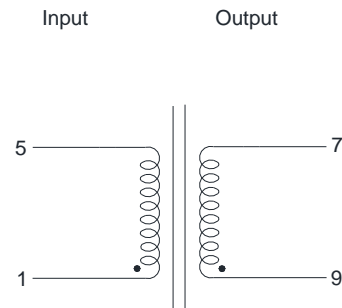


Single output

SCHEMATIC DIAGRAM:



Dual outputs



Single output

ELECTRONIC SPECIFICATIONS

Order Number	Input Voltage	SEC.Voltage (Vac)	Rated Power (VA)	No-load Voltage (V)	Ambient TEMP. (°C)	Weight (g)	Certificate			
							VDE	UL	CQC	CE
BV301S06018	115V 50/60Hz	6	1.8	9.8 Max	T 40 B	80	●	▲		●
BV301S09018	115V 50/60Hz	9	1.8	14.8 Max	T 40 B	80	●	▲		●
BV301S10018	115V 50/60Hz	10	1.8	15.5 Max	T 40 B	80	●	▲		●
BV301S12018	115V 50/60Hz	12	1.8	19.7 Max	T 40 B	80	●	▲		●
BV301S15018	115V 50/60Hz	15	1.8	24.6 Max	T 40 B	80	●	▲		●
BV301S18018	115V 50/60Hz	18	1.8	30.3 Max	T 40 B	80	●	▲		●
BV301S24018	115V 50/60Hz	24	1.8	39.3 Max	T 40 B	80	●	▲		●
BV301D06018	115V 50/60Hz	2x6	1.8	2x9.8Max	T 40 B	80	●	▲		●
BV301D09018	115V 50/60Hz	2x9	1.8	2x14.8 Max	T 40 B	80	●	▲		●
BV301D10018	115V 50/60Hz	2X10	1.8	2x15.5 Max	T 40 B	80	●	▲		●
BV301D12018	115V 50/60Hz	2x12	1.8	2x19.7 Max	T 40 B	80	●	▲		●
BV301D15018	115V 50/60Hz	2x15	1.8	2x24.6 Max	T 40 B	80	●	▲		●
BV301D18018	115V 50/60Hz	2x18	1.8	2x30.3 Max	T 40 B	80		▲		●
BV301D24018	115V 50/60Hz	2x24	1.8	2x39.3Max	T 40 B	80		▲		●
BV302S06018	230V 50/60Hz	6	1.8	9.8 Max	T 40 B	80	●	▲	●	●
BV302S09018	230V 50/60Hz	9	1.8	14.8 Max	T 40 B	80	●	▲	●	●
BV302S10018	230V 50/60Hz	10	1.8	15.5 Max	T 40 B	80	●	▲	●	●
BV302S12018	230V 50/60Hz	12	1.8	19.7 Max	T 40 B	80	●	▲	●	●
BV302S15018	230V 50/60Hz	15	1.8	24.6 Max	T 40 B	80	●	▲	●	●
BV302S18018	230V 50/60Hz	18	1.8	30.3 Max	T 40 B	80	●	▲	●	●
BV302S24018	230V 50/60Hz	24	1.8	39.3 Max	T 40 B	80	●	▲	●	●
BV302D06018	230V 50/60Hz	2x6	1.8	2x9.8Max	T 40 B	80	●	▲	●	●
BV302D09018	230V 50/60Hz	2x9	1.8	2x14.8 Max	T 40 B	80	●	▲	●	●
BV302D10018	230V 50/60Hz	2X10	1.8	2x15.5 Max	T 40 B	80	●	▲	●	●
BV302D12018	230V 50/60Hz	2x12	1.8	2x19.7 Max	T 40 B	80	●	▲	●	●
BV302D15018	230V 50/60Hz	2x15	1.8	2x24.6 Max	T 40 B	80	●	▲	●	●
BV302D18018	230V 50/60Hz	2x18	1.8	2x30.3 Max	T 40 B	80		▲		●
BV302D24018	230V 50/60Hz	2x24	1.8	2x39.3Max	T 40 B	80		▲		●