

F

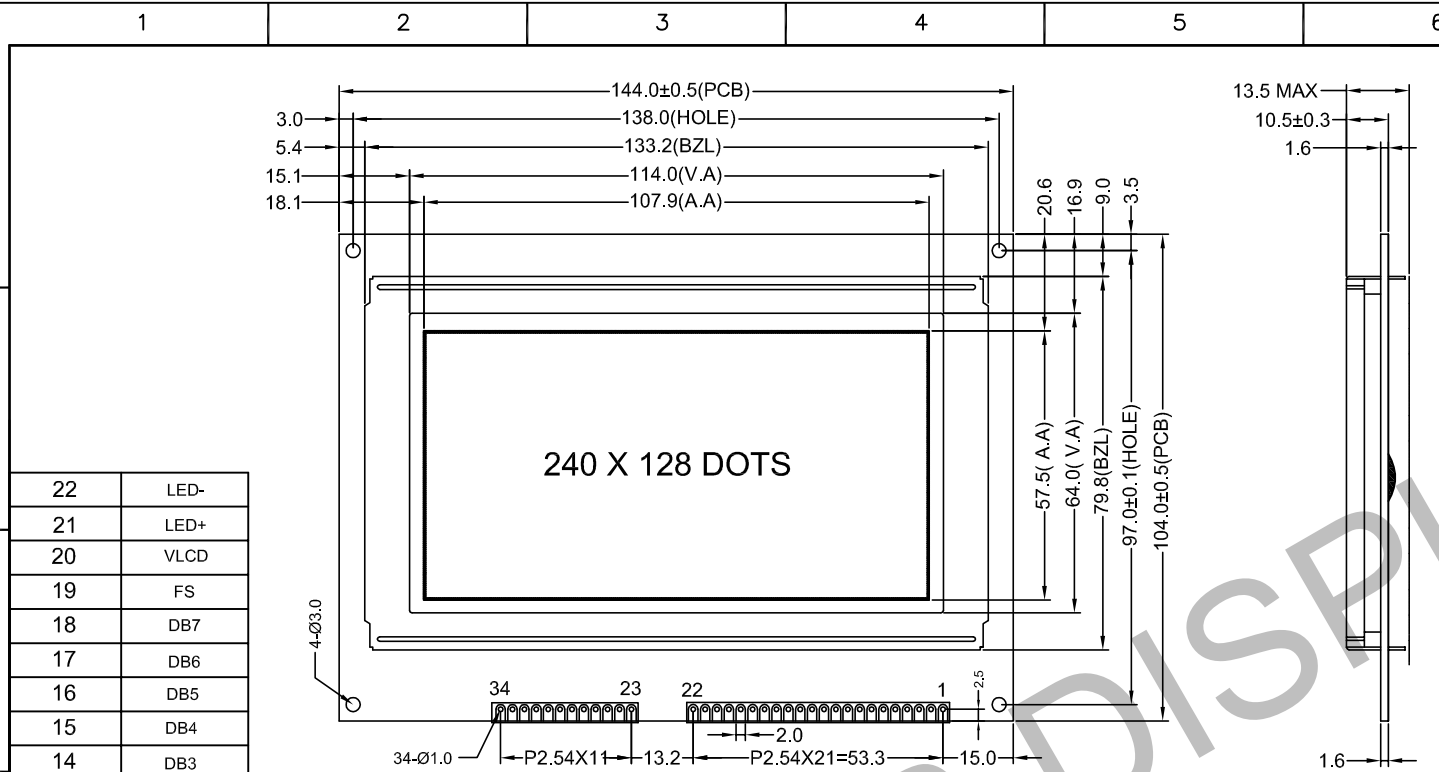
E

D

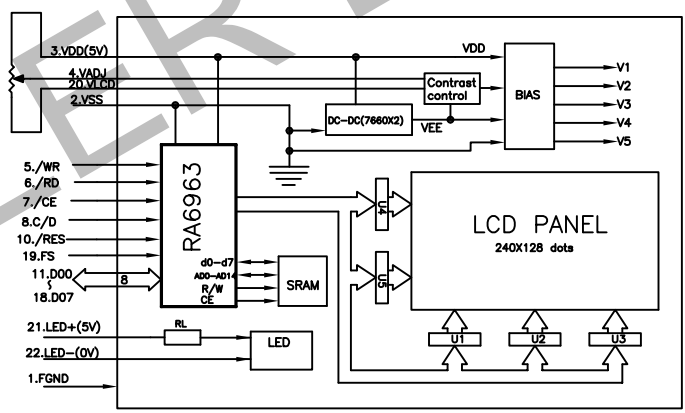
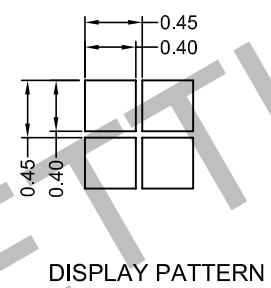
C

B

A



22	LED-
21	LED+
20	VLCD
19	FS
18	DB7
17	DB6
16	DB5
15	DB4
14	DB3
13	DB2
12	DB1
11	DB0
10	/RES
9	NC
8	C/D
7	/CE
6	/RD
5	/WR
4	VADJ
3	VDD
2	VSS
1	FGND
PIN	SYMBOL



ITEM	SELECTABLE CONTENTS
DISPLAY MODE	STN YELLOW MODE
	STN GRAY MODE
	STN BLUE MODE
	FSTN
POLARIZER TYPE	REFLECTIVE
	TRANSFLECTIVE
	TRANSMISSIVE, POSITIVE
VIEWING DIRECTION	TRANSMISSIVE, NEGATIVE
	6 O'CLOCK
LED BACKLIGHT	12 O'CLOCK
	WHITE
	YELLOW-GREEN
	RED
	GREEN
	BLUE
TEMPERATURE RANGE	AMBER
	-
CHARACTER PATTERNS	STANDARD TEMPERATURE
	WIDE TEMPERATURE
OPERATING VOLTAGE	5.0V
LCD DRIVING VOLTAGE	16.2V
LCD DRIVE METHOD	1/128DUTY 1/12 BIAS
LCD DRIVE IC	RA6963

THE PART NUMBER IN MASS PRODUCTION	
1.	STN(Y-G), TRANSFLECTIVE LCD; Y-G BACKLIGHT; 6 O'CLOCK;
2.	STN(BLUE), TRANSMISSIVE LCD; WHITE BACKLIGHT; 6 O'CLOCK;
3.	--
4.	--

UNIT	MM	TOLERANCE	X.X = ±0.3
	3RD ANGLE		X.XX = ±0.20
			ANG = -
SCALE:	1:1		
DRAWN:			
CHECKED:			
APPROVED:			

ZETTLER DISPLAYS	
XIAMEN ZETTLER ELECTRONICS CO., LTD.	
TITLE:	LCM
MODEL NO:	AGM2412A SERIES
REV	A
PART NO:	
SH NO	1/1